

# PTX-4 Transmitter Coding Instruction Manual

Thank you for purchasing the ATA SecuraCode® PTX-4 keyring transmitter. Familiarise yourself with the following instructions prior to commencing set up. Store this information in a safe place for future reference.

## OPERATION

To open a door or gate using the transmitter simply press one of the programmed channel buttons for two seconds. Each press of the button will cycle through an open, stop or close action.

## STORING TRANSMITTER CODE

Make sure to install the battery in the transmitter correctly.

1. Press and hold the blue Door Code button on the opener or SW1 or SW2 on the receiver board.
2. Press the transmitter button you would like to use to control the door for two seconds.
3. Release and pause for two seconds. Press the same button again for two seconds.
4. Release the Door Code or SW button.
5. Press the transmitter button to test operation of the door/gate etc.

**Note:** To remove a transmitter's code from the device repeat steps 1-5 above .

## STORING TRANSMITTER(S) FROM A REMOTE LOCATION

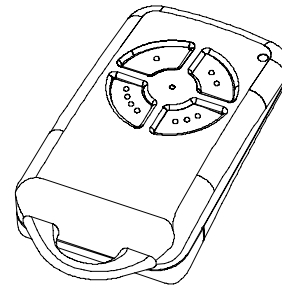
Using this method you do not need to have direct access to the control panel or receiver. However, you do need a transmitter that is already coded into the opener.

**IMPORTANT NOTE:** The door/gate or courtesy light will be activated when the step below is performed. The moving door/gate or light switching on is to confirm that the correct button was pressed and the transmitter is in range of the opener.

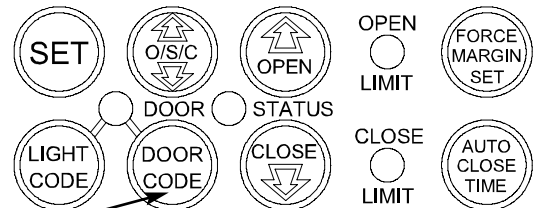
1. Take any pre-coded transmitter. Press the button for the function you require until the door/gate is activated and release.
2. Then using a small needle press through the Coding Hole and hold firmly for two seconds.
3. Within 10 seconds take the additional transmitter you wish to code.
4. Press the transmitter button you would like to use to control the door for two seconds.
5. Pause for two seconds then press the same button again for two seconds. This button should now be coded.
5. Wait for 10 seconds, then press the just coded transmitter button to confirm that it operates the door/gate etc.

## DELETING ALL STORED TRANSMITTER CODES

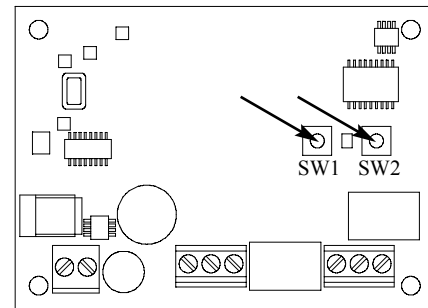
1. Turn the power off to the opener.
2. Press and hold Door Code or SW1 button.
3. Turn the power on again, while holding the button. The Coding LED will illuminate to indicate that the receivers memory has been deleted.
4. Release the button. All the stored codes including the courtesy light codes should now be deleted. Confirm this by pressing the transmitters previously used to operate the device. There should be no response.



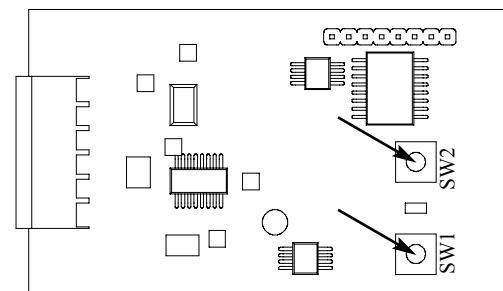
PTX-4 SecuraCode® Keyring Transmitter



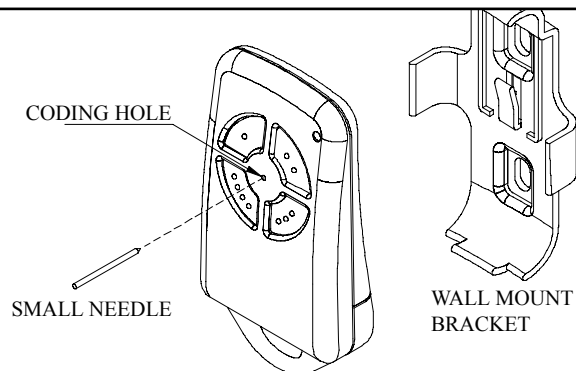
GDO-2 & GDO-4 Garage Door Opener Control Panel



CRX-2 Stand Alone Receiver



RX-2 V2.02 Receiver Board



**Automatic Technology Australia Pty Ltd**

17-19 Advantage Rd Highett Vic 3190 Australia

T: +61 3 9532 2788 F: +61 3 9532 2799

E: sales@ata-aust.com.au W: www.ata-aust.com.au