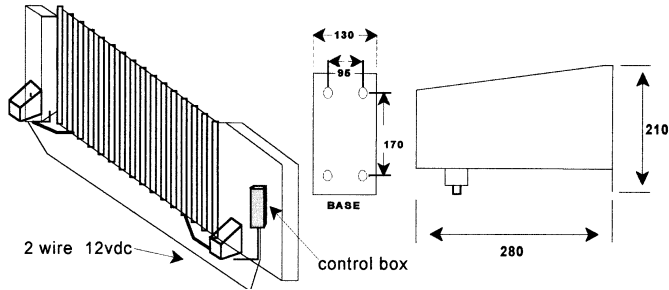


Installation Instructions

G940 Harmonic swing gate operator (discontinued)

The Merlin G940 Harmonic swing gate operators are ruggedly built and versatile units. The G940 is a compact unit suited for small to medium sized gates. Suitable for single or double swing gates and provide years of reliable service.



Specs

Power options	230v. ac, 12v. dc, solar
Current	3 amp per motor
Maximum duty cycle	100%
Travel time	10-14 seconds
Maximum gate weight / length	150Kg / 3 meters
Maximum opening angle	110 deg
Gate stops required	optional / recommended
Gate lock required	optional

Standard features

- Independent limit controls
- Auto close, adjustable 6-210 seconds
- Adjustable force sensitivity
- Two speed motor option
- Leaf delay for electric locks or clash bars.
- Multi-use function.

Optional Accessories

- Battery back up
- Solar power option
- Safety beam sensors
- Electric lock
- Intercom
- Keypad entry.

Step 1

Fasten the motor securely to the gatepost, and the gate bracket to the gate as shown in fig A & B.

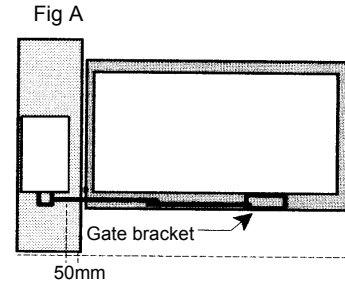
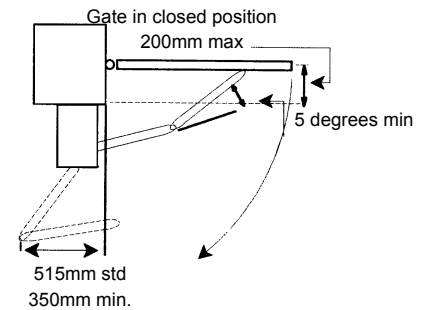


Fig B



Restricted side room installation

Where there is restricted side room (between 515mm & 350mm) the secondary arm must be cut to suit.

Move the primary arm into a position suitable for the gate in the closed position. Measure as in Fig C while temporarily clamping the bracket to the gate.

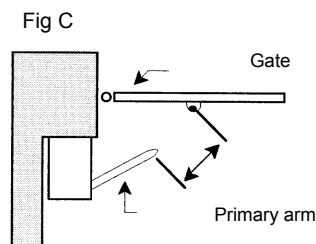
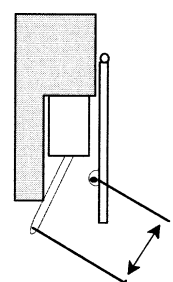


Fig D



Move the gate to the open position as in Fig D, and re-measure. The correct bracket position and secondary arm length will be when the distance is equal for the open and closed.

Caution

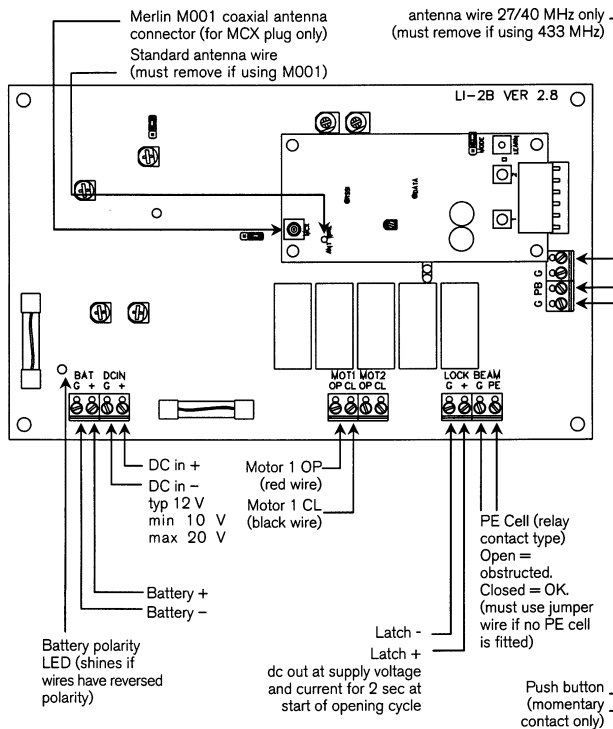
Ensure that the secondary arm does not interfere with the primary arm.
Minimum angle between the primary & secondary arms, in the open position should be no less than 40degrees.

Installation Instructions

G940 Harmonic swing gate operator (discontinued)

Step 2

Connect the wires to the control board



Note

When powering any accessories from the board, (for example: gate latches, additional receivers, keypads, and PE beams) ensure the power supply has adequate capacity. Measure the voltage at the DC IN under full motor load. If it falls below 9V then the board, receiver, and some accessories, may not function correctly. In this instance, remove accessories, upgrade the power supply, or provide additional power supplies directly to each accessory

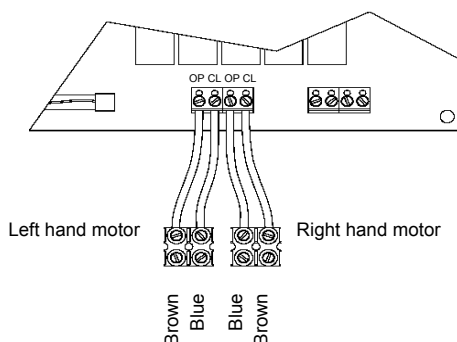
Step 3

Connect the wires to the motors

Motor 1 is the left hand motor when facing out of the driveway. If motor 1 is on the right hand side, reverse the polarity of the motor wires.

If a single motor is fitted use the Motor 1 terminals. If a single opener is fitted on the right hand side, reverse the polarity of the motor wires.

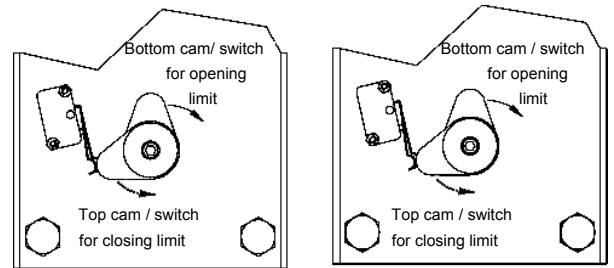
If a motor pushes a gate outwards, reverse the polarity of the motor wires.



Step 4

Set the travel limits

Do not fully fit the primary arm to the drive before setting the limits. Leave the bolt loose so that the drive does not engage with the arm. This will prevent possible injury or damage before the limits are correctly set.



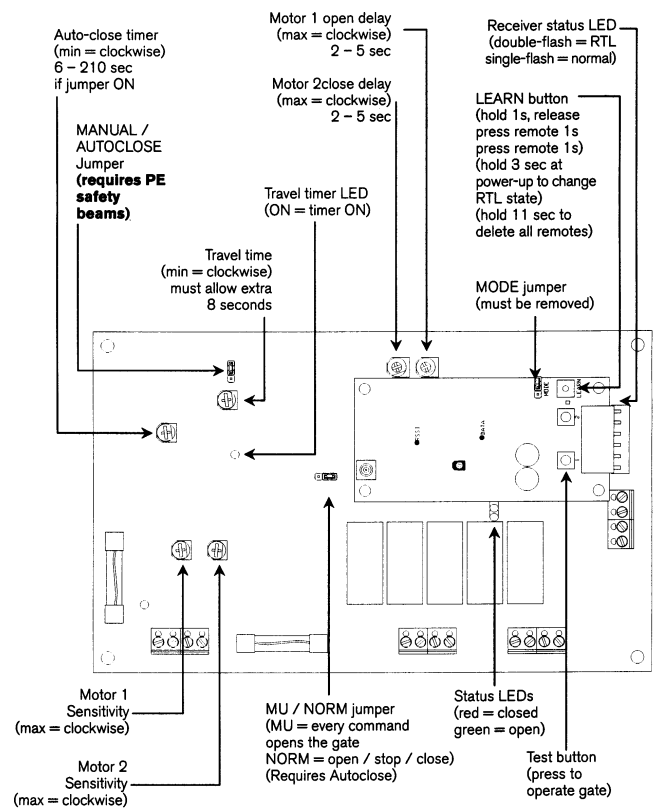
Left hand motor

Right hand motor

Close the gates. Operate the motors until their output shafts are in the correct position to engage with their primary arms of the closed gates. Loosen the limit cam cap-screw.

Step 5

Control board set up.



Note

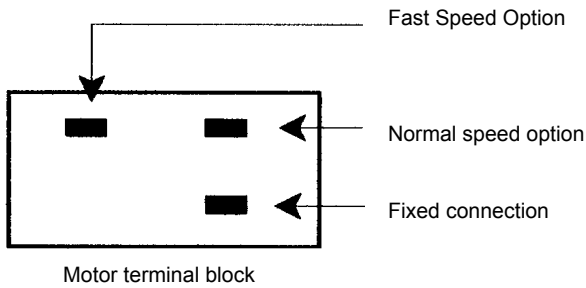
Reverse motor wires if open and close LED's do not match gate travel.

Step 6

Speed selection option

There is a speed selection option on the top of motor.
It is best for long or heavy gates to use the slow speed.

The fast speed option on large gates may cause damage to the unit due to the forces incurred during operating.

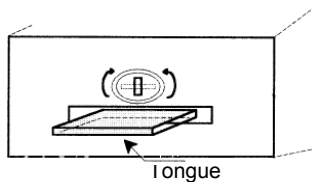


Factory set on normal speed.

Service

Manual release.

To operate the gates manually, turn the key a quarter turn anti-clockwise to the horizontal position. Push in the metal tongue and manually operate the gates.



Maintenance.

In an area where ant or insect infestation is likely, regularly spray around the opener and any electrical installation with insecticide.

In normal conditions it is not expected that any additional lubrication or service is required.

Keep the path of the gate free from debris and foliage.